

DuPont™ Flashing Systems Installation Guidelines

Installation Methods for DuPont™ Flashing System AFTER Water-Resistive Barrier (WRB) is Installed

Integral Flanged Window AFTER Water-Resistive Barrier (WRB)

Method applies to following product:

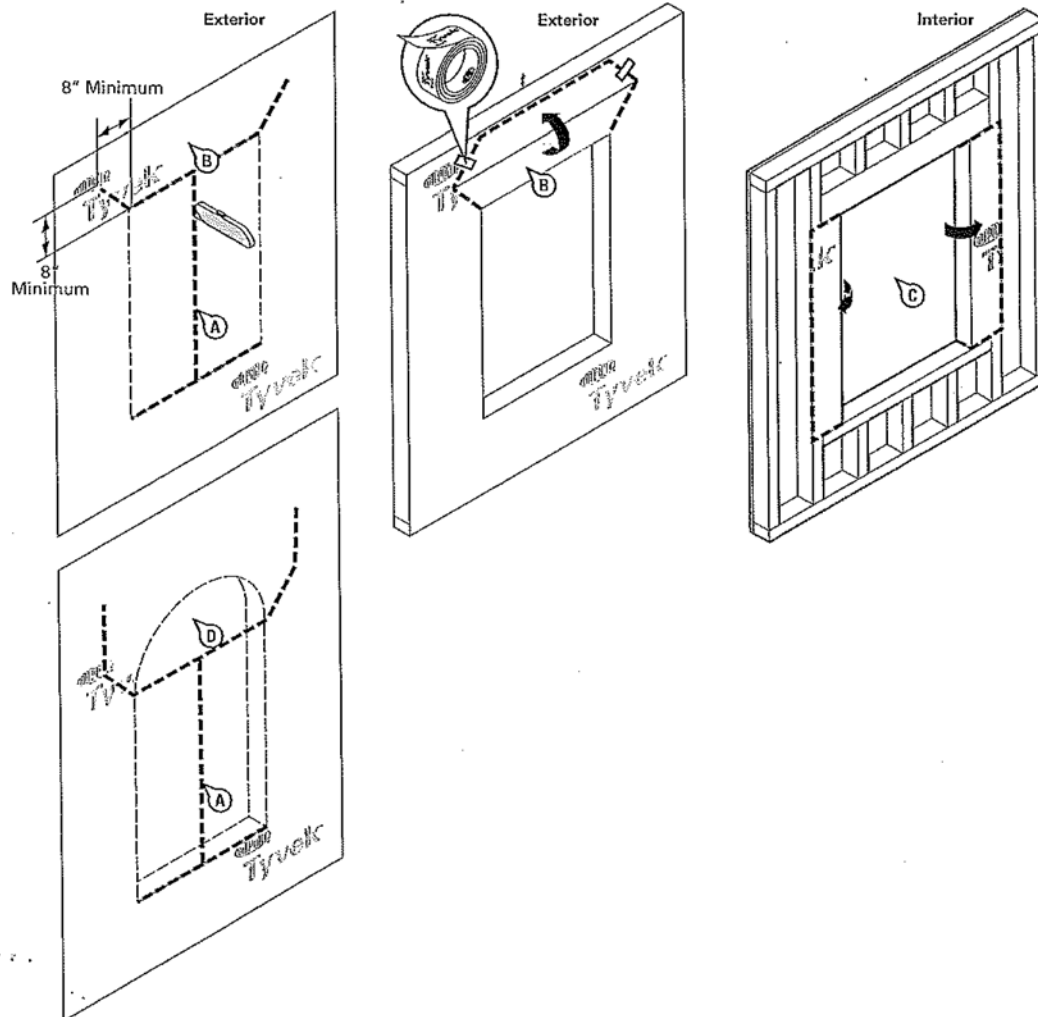
- DuPont™ StraightFlash™
- DuPont™ FlexWrap™

STEP 1

Prepare water-resistive barrier for window installation:

- Make an "I-Cut" (Standard I-Cut) in the WRB (modified I-Cut is also accepted). For an "I-Cut" begin with a horizontal cut across the bottom and the top of the window frame (for round top windows, the cut should begin 2" above the mull joint [see D]). From the center cut straight down to the sill.
- Cut two 45 degree slits a minimum of 8" from the corner of the header to create a flap above the rough opening to expose sheathing or framing members to allow head flashing installation (see step 5). Flip head flap up and temporarily secure with DuPont™ Tyvek® Tape. Some windows and flashing widths may require longer slits.
- Fold side flaps into rough opening, cut excess flaps, and secure.

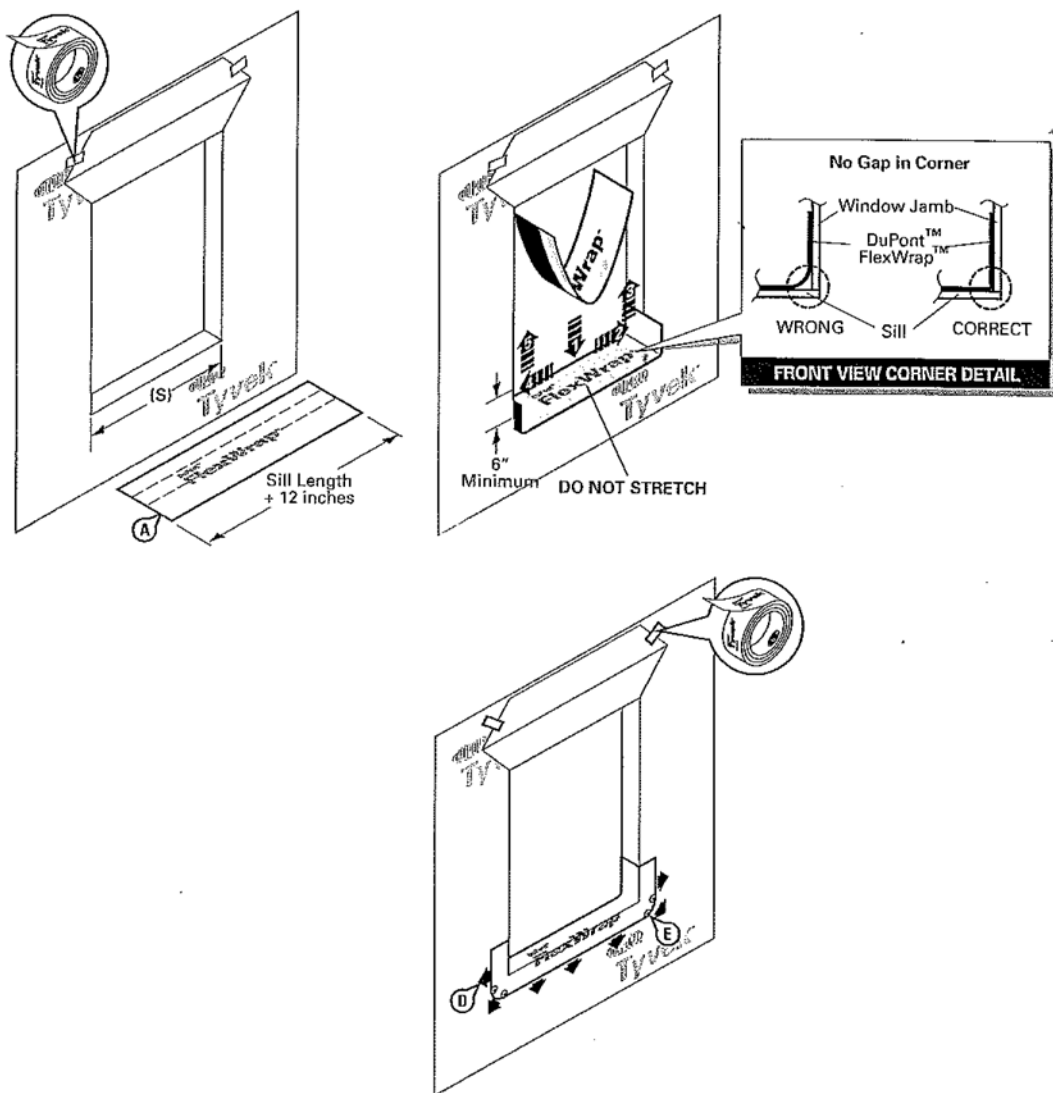
Note: Side flaps should cover interior facing framing stud.



STEP 2 (optional / not required)

- A. Cut DuPont™ FlexWrap™ at least 12" longer than width of rough opening sill (S).
- B. Remove first piece of release paper, cover horizontal sill by aligning inside edge of sill, and adhere into rough opening along sill and up jambs (min. 6" on each side).
- C. Remove second release paper.
- D. Flex DuPont™ FlexWrap™ at bottom corners onto face of wall.
- E. **SECURE EDGES OF DUPONT™ FLEXWRAP™ WITH MECHANICAL FASTENERS.** i.e., DuPont™ Tyvek® Wrap Caps (nails, screws, staples).

Note: Secure fastener along the bottom outer edge of the DuPont™ FlexWrap™ at flexed corners.

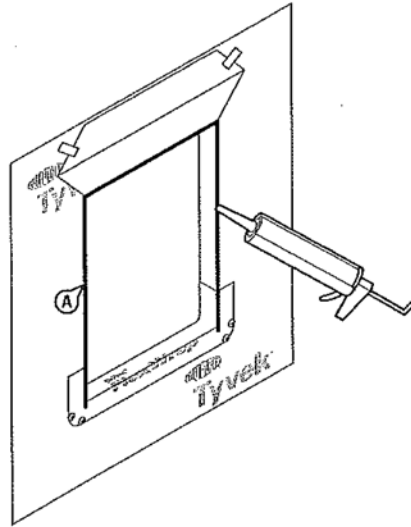


DuPont™ Flashing Systems Installation Guidelines

STEP 3

- A. Apply continuous bead of caulk at the window head and jambs to wall or back side of window mounting flange.

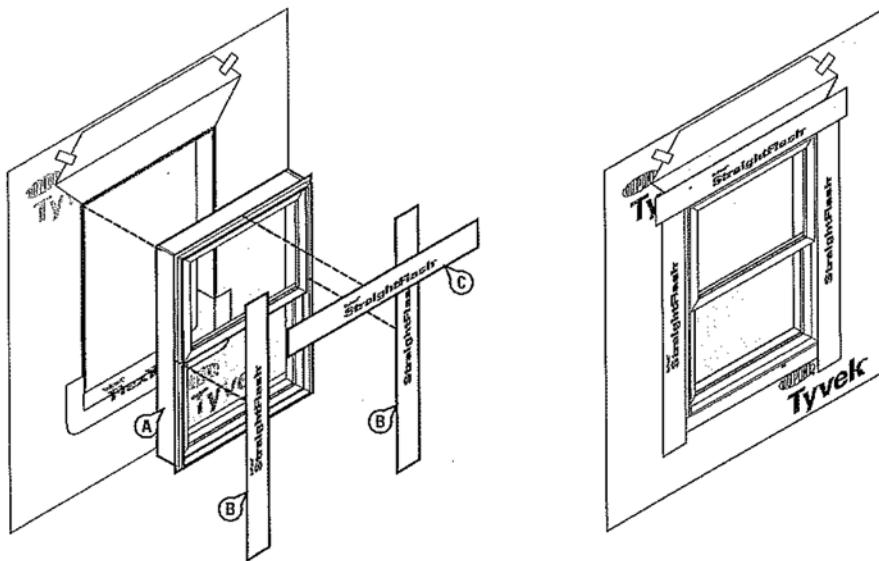
DO NOT APPLY CAULK ACROSS BOTTOM SILL FLANGE to allow for drainage.



FOR RECTANGULAR WINDOWS

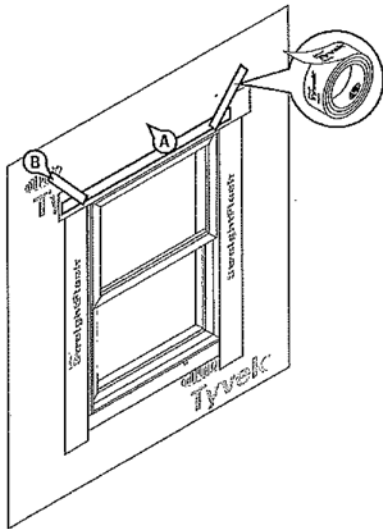
STEP 4

- A. Install window according to manufacturer's instructions.
- B. Cut two pieces of DuPont™ StraightFlash™ or DuPont™ FlexWrap™ for jamb flashing extending 1" above window head flange and below bottom edge of sill flashing. Remove release paper and press tightly along sides of window frame.
- C. Cut a piece of DuPont™ StraightFlash™ or DuPont™ FlexWrap™ for head flashing, which extends beyond outer edges of jamb flashings. Remove release paper and install completely covering mounting flange and adhering to exposed sheathing or framing members. (see C)



STEP 5

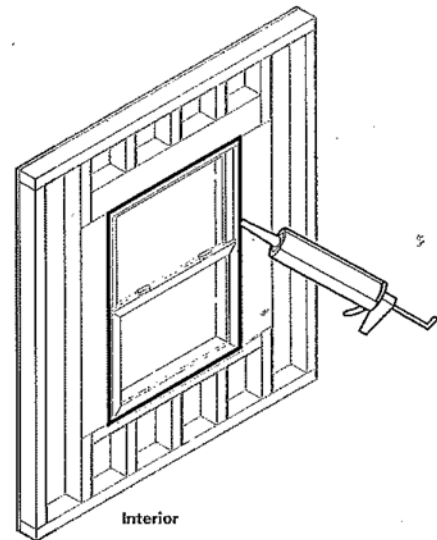
- A. Flip down upper flap of water-resistive barrier so it lays flat across head flashing.
- B. Tape along all cuts in water-resistive barrier and tape across head of the window with DuPont™ Tyvek® Tape.



STEP 6 (optional / not required)

Final Step

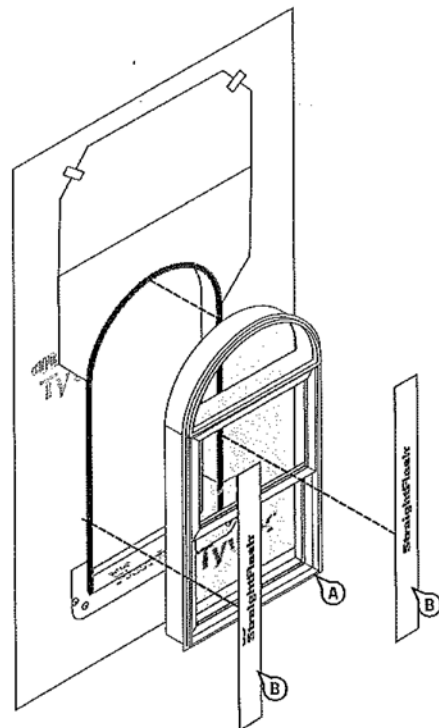
Seal around the window opening at the interior, using caulk (and backer rod as necessary). Caulk and backer rod will also serve as a back dam.



FOR ROUNDTOP WINDOWS

STEP 4

- A. Install window according to manufacturer's instructions.
- B. Cut two pieces of DuPont™ StraightFlash™ or DuPont™ FlexWrap™ for jamb flashing extending 1" above window head flange and below bottom edge of sill flashing. Remove release paper and press tightly along sides of window frame.

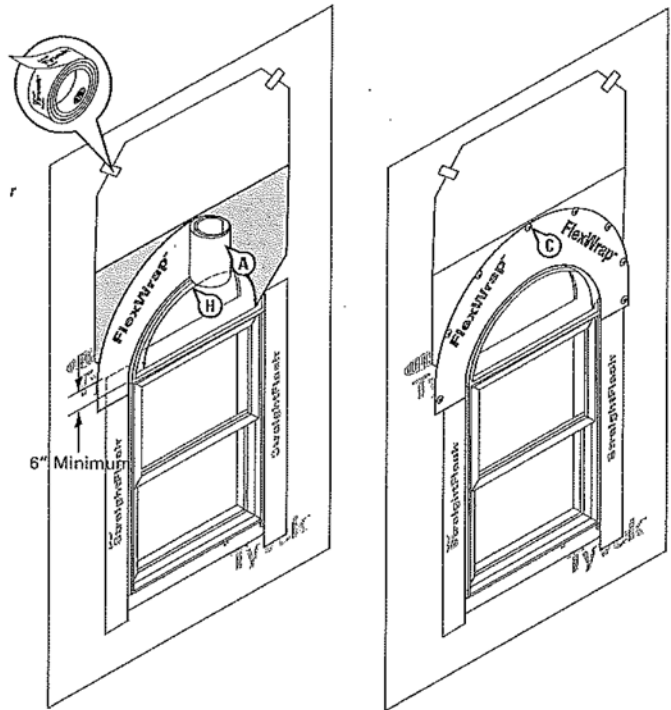


DuPont™ Flashing Systems Installation Guidelines

STEP 5

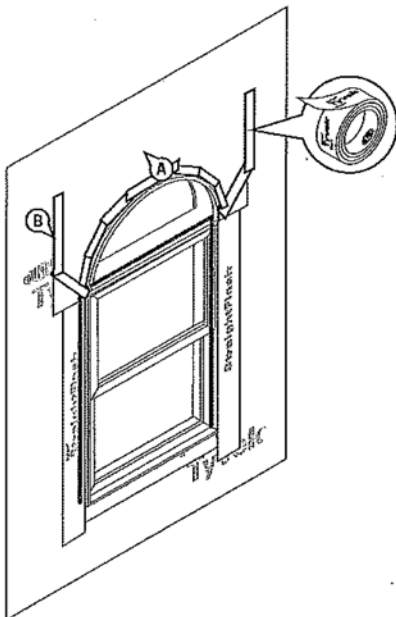
Install head flashing

- Cut head flashing at least 12" longer than the arc length (H) of round-top window.
- Remove both release papers and install to conform around top of window, covering entire mounting flange and adhering to exposed sheathing or framing members. Head flashing should overlap jamb flashings at least 6".
- Secure outer edges of head flashing using mechanical fasteners. e.g. DuPont™ Tyvek® Wrap Caps (nails, screws, staples). SECURE every 6" to 12" along outer perimeter.



STEP 6

- Flip down upper flap of WRB so it lays flat across head flashing.
- Tape along all cuts in WRB and across head of the window with DuPont™ Tyvek® Tape.



STEP 7

Final Step

Seal around the window opening at the interior, using caulk (and backer rod as necessary). Caulk and backer rod will also serve as a back dam.

